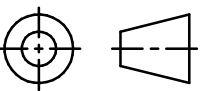
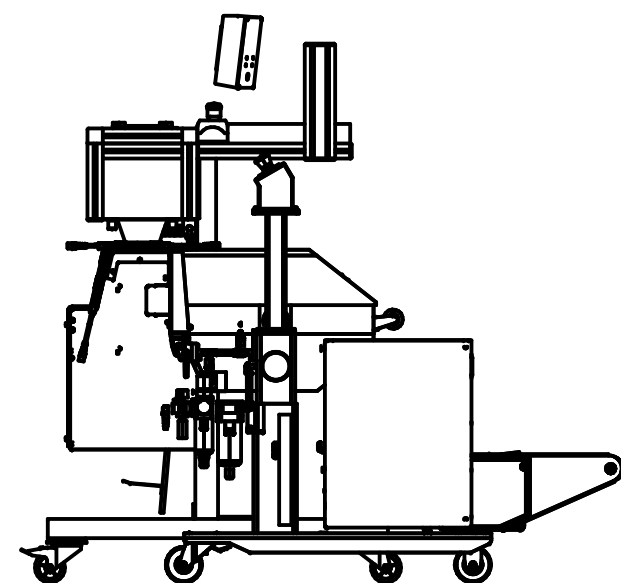
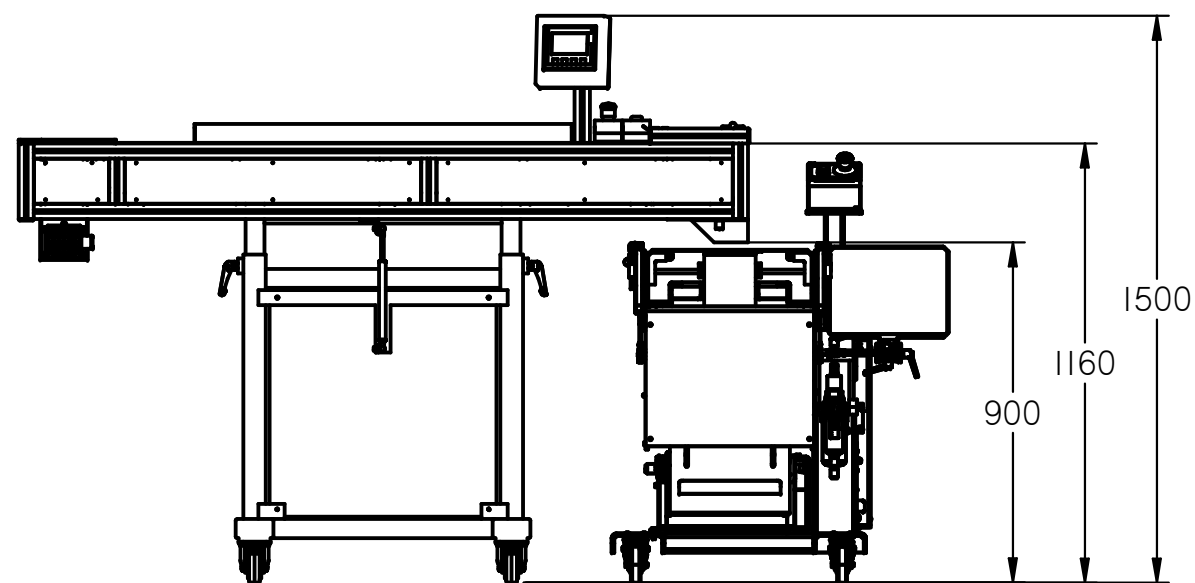
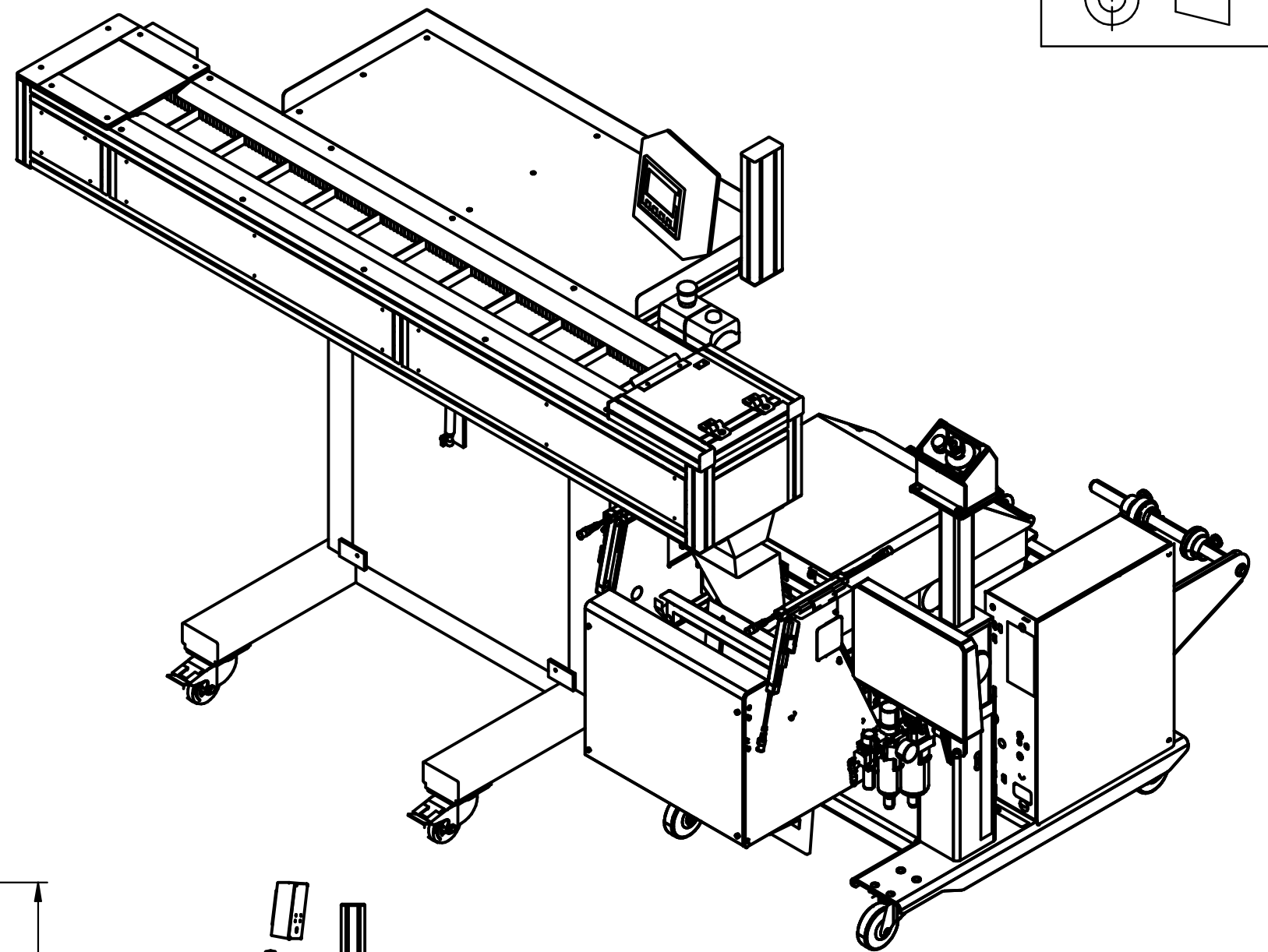
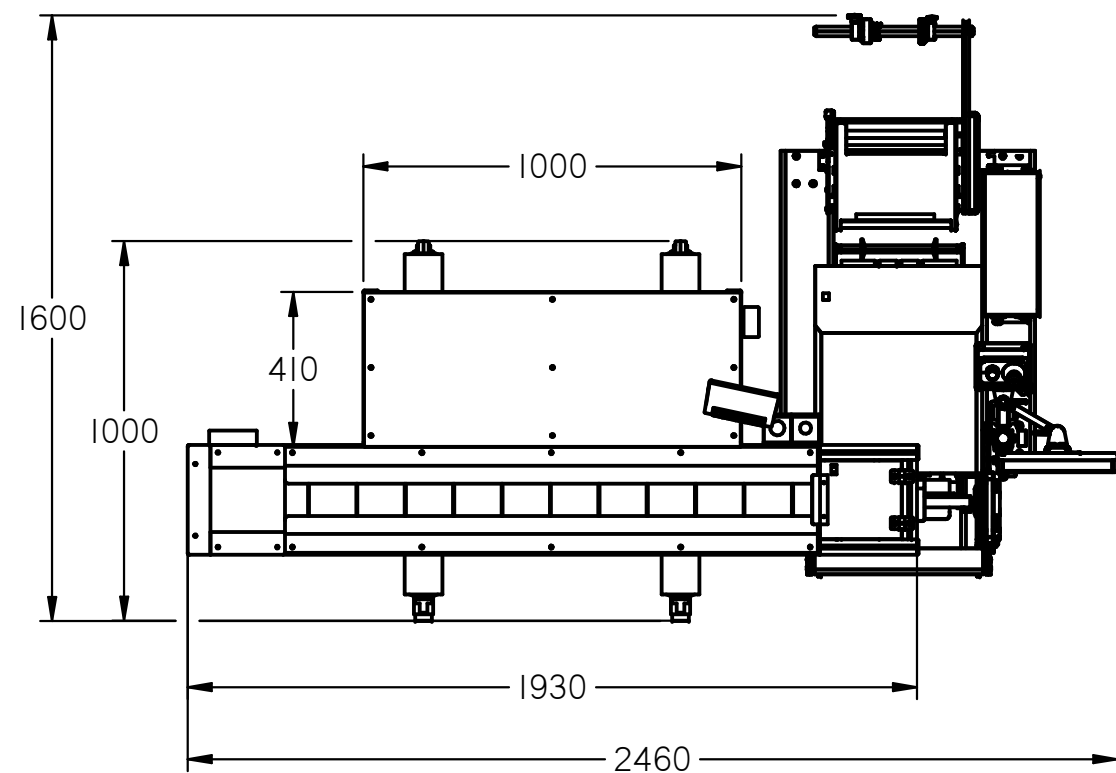


ALL DIMENSIONS IN MM



DRG No. ECL1714GA (ISSUE C)



No.	DESCRIPTION	CHK'D	APP'D	DATE
C	AUTOBAG AB180 ADDED TO LAYOUT	LQ	LQ	01/16
B	HMI UPDATED TO NEW CONDITION	LQ	LQ	06/15
REVISIONS				

COMCOUNT LTD.

TITLE
1930 LG MAXIMISER INDEXING CONVEYOR

DRAWN LQ	CHECKED LQ	C.A.D. REFERENCE	DATE 30/06/2015
DRAWING No. ECL1714GA (ISSUE C)			SCALE A3 1:20