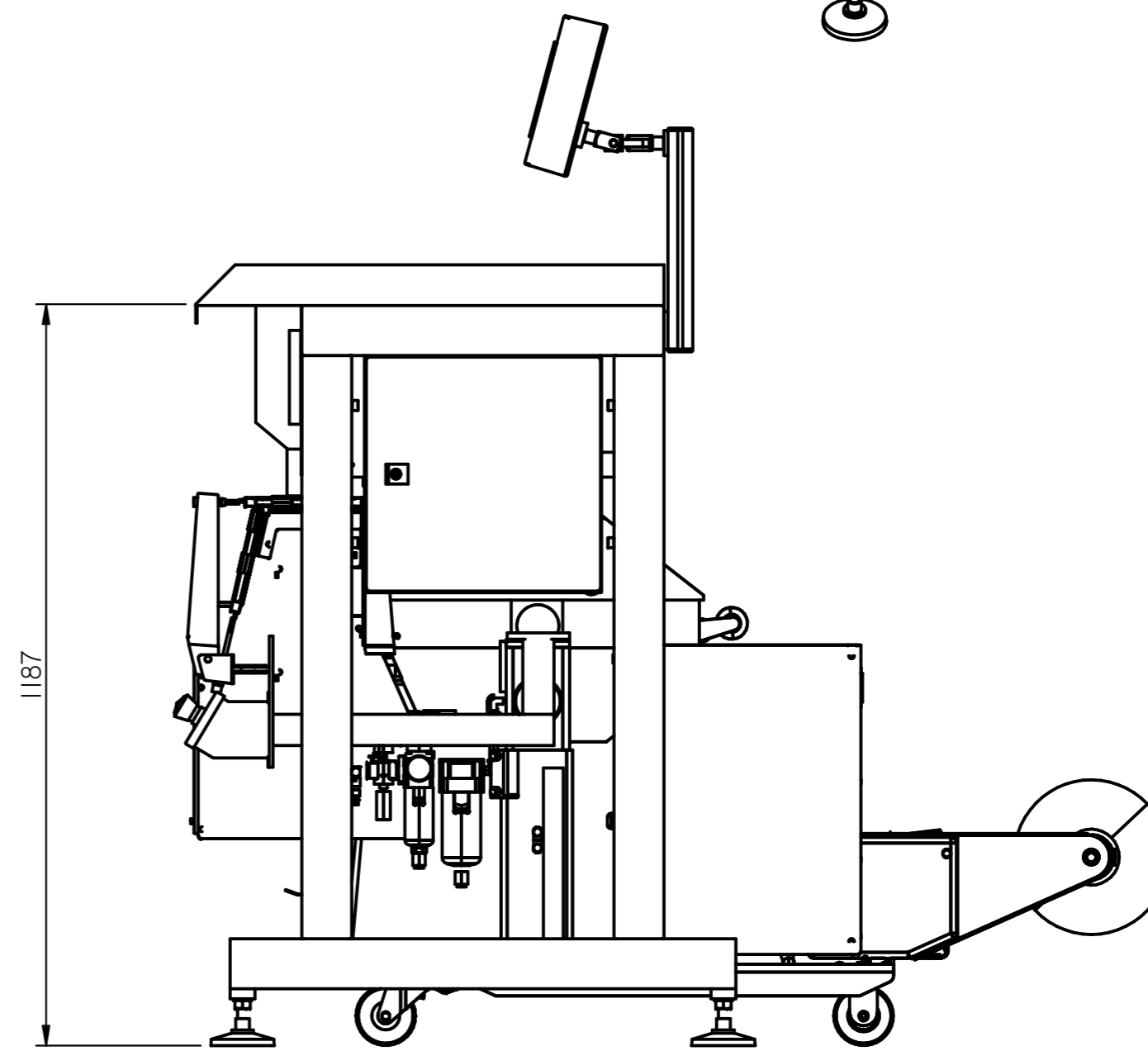
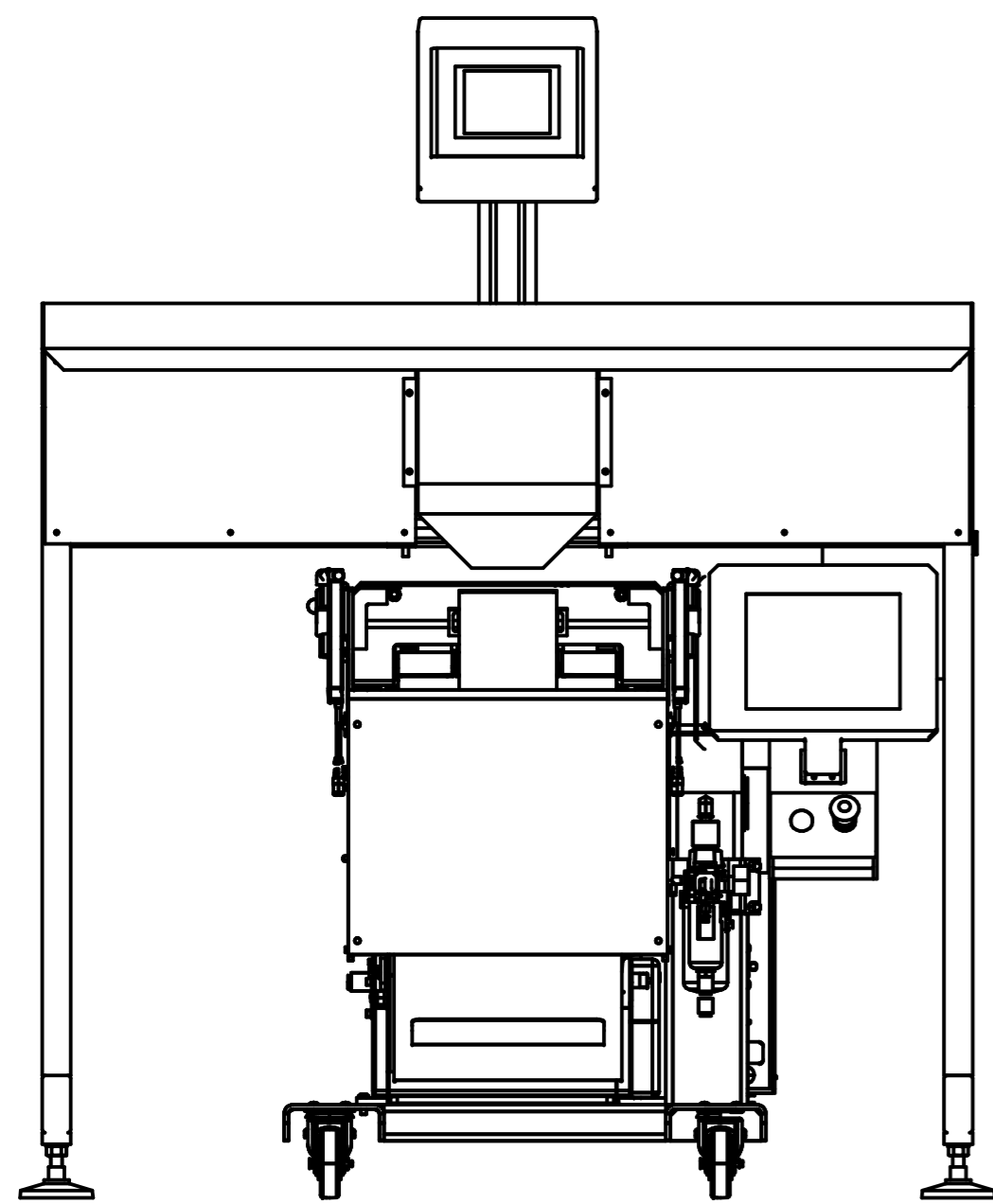
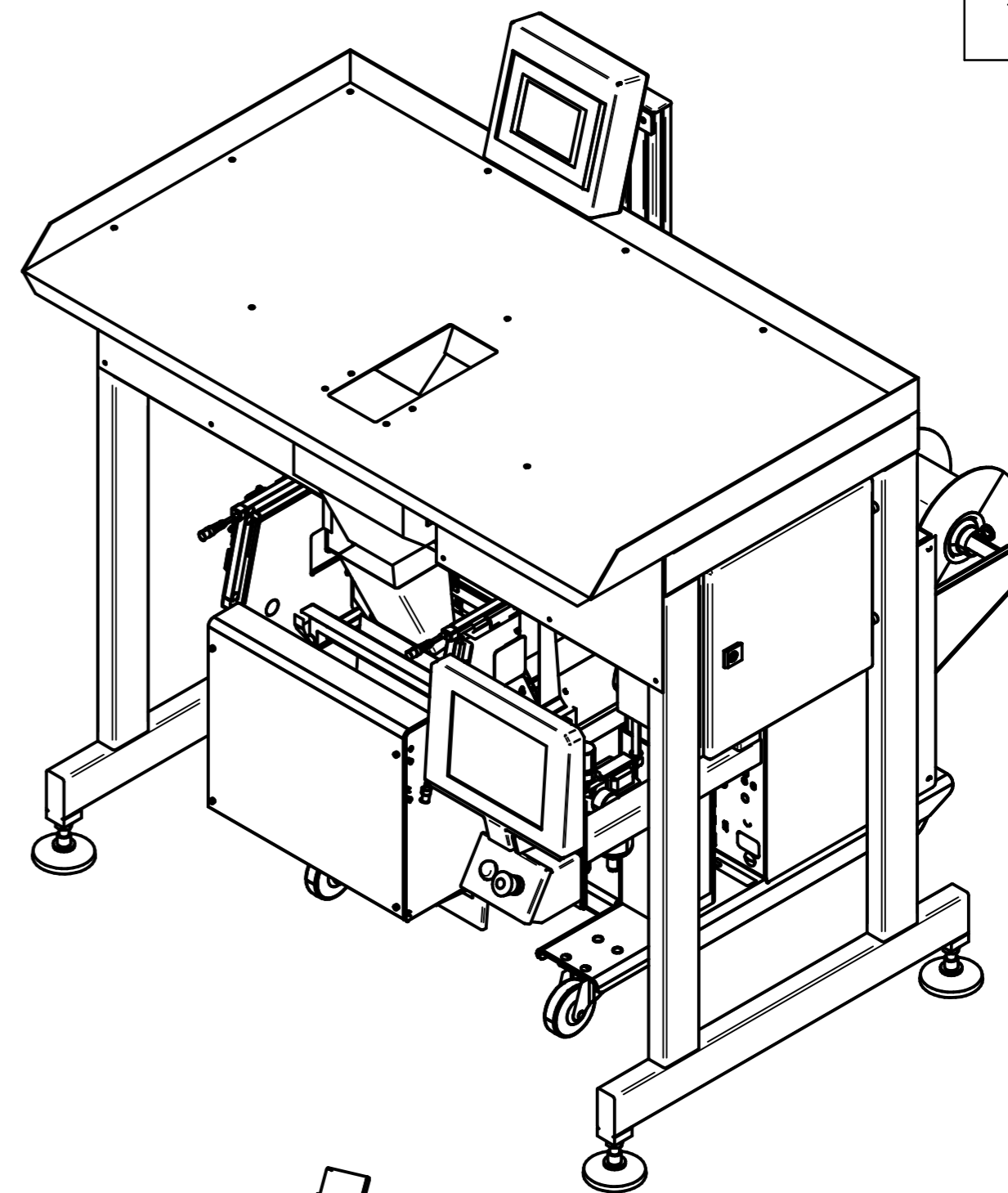
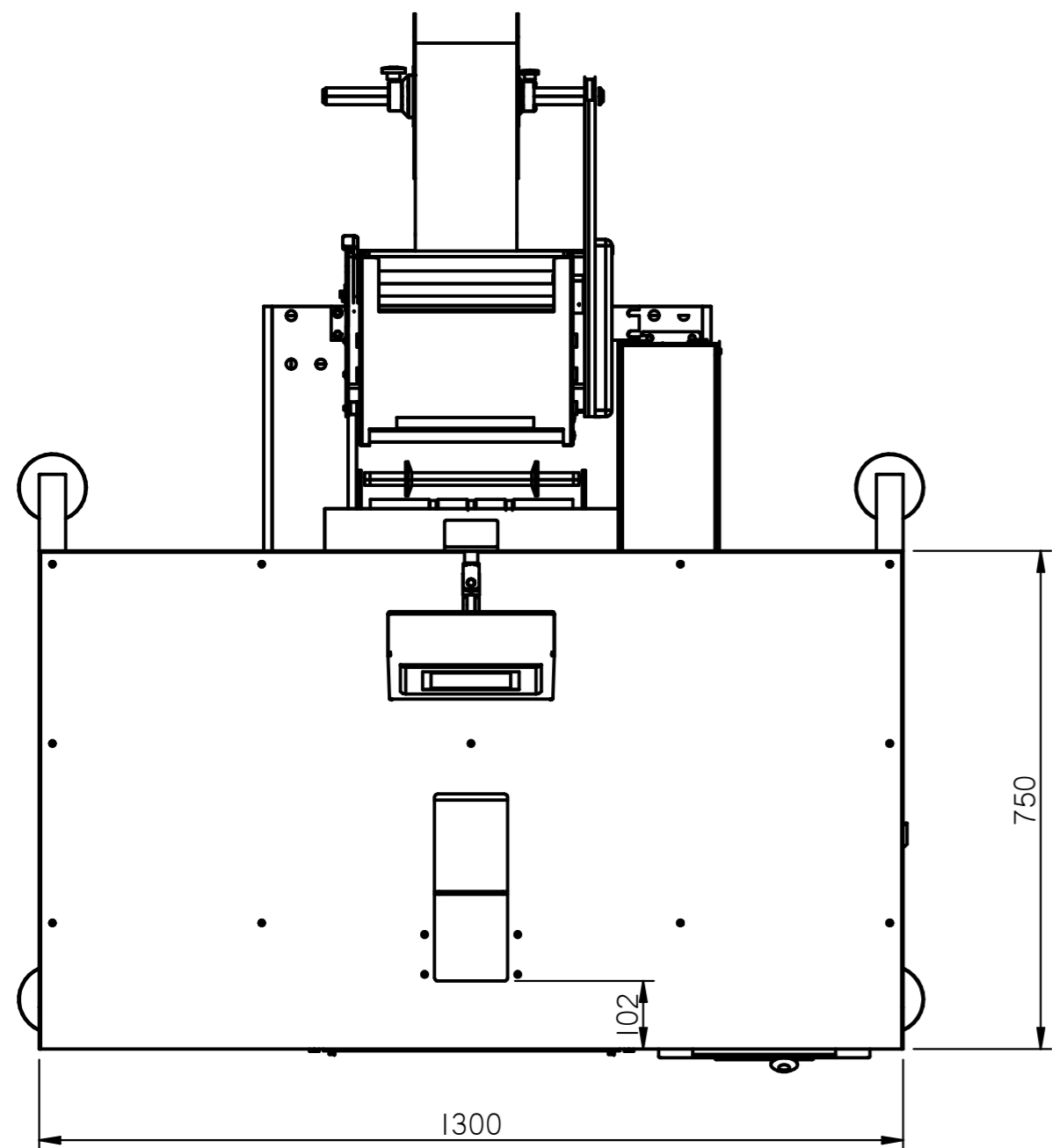


DRG No. CCL1909EA



No.	DESCRIPTION	CHK'D	APP'D	DATE
REVISIONS				

TITLE
ACCUSCALE HAND PACKING TABLE (MK 2)

COMCOUNT LTD.
 UNIT 16 SHIPSTON CLOSE
 CRANHAM ESTATE
 WORCESTER WR4 9XN
 TEL: (01905) 454710 FAX: (01905) 455849
 mail@comcount.co.uk

DRAWN RJOC	PLOTTED RJOC	C.A.D. REFERENCE	DATE 01/05/2013
DRAWING No. CCL1909GA			SCALE A2 1:10